

idc SANI-Safe

for 'Sharps & Contaminated Medical Waste' Model: QSsnC 200ml

Sharp and pointed objects, or contaminated articles generated during daily use, can be a danger to life and limb if used incorrectly. Please follow these Operating Instructions and Safety Guidelines.

1. Fitting

Fitting is not necessary. The SANI-Safe is supplied fitted and fully functional. This model for use with Syringe / Cannula

2. Everyday Use

The container has a turning lid (3). The lid (3) is easily moved into the OPEN or CLOSE position simply by turning it with one hand.

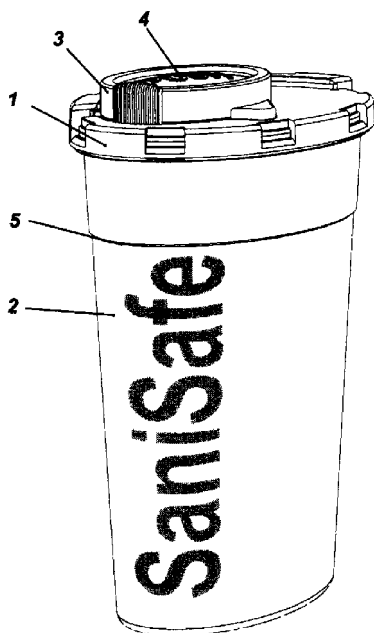
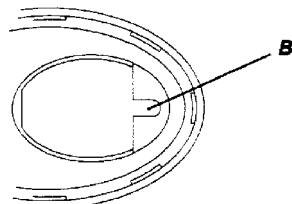
When in the CLOSE position the SANI-Safe can be safely transported. Can be reopened at any time.

3. FINAL CLOSURE -

Sealing the turning lid (3) & (4)

After the container is FULL proceed as follows; To finally seal the container, turn the lid (3) into the CLOSE position and then push the surface marked 'PUSH' (4) firmly into the base section of the container (2). You will hear the lid cover (4) lock into place.

Caution: do not fill the container higher than the level indicator ("Fill-Line") (5) on the Container.



4. Level Indicator ("Fill-Line")

At the top section of the Container a level indicator (5) is visible.

Under no circumstances fill the Container above the level indicator.

For security reasons do not exceed the maximum fill height.

5. Pull-off/Twist-off device

5.1 Semicircular recess (B)

This notch (B) is used to remove normal cannulas from the syringe. If the used blood collecting system fits into this recess (B), turn the cannula anti-clockwise until it falls into the bottom part of the SANI-Safe.

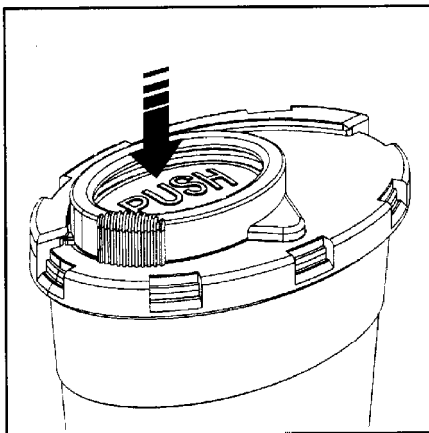
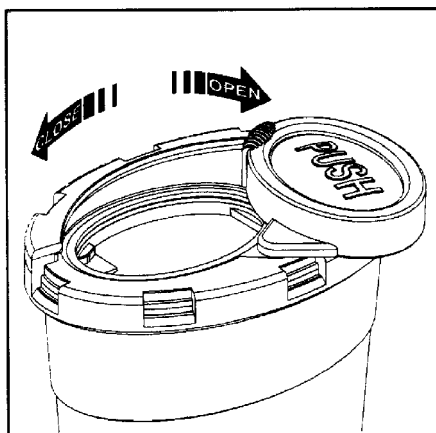
(i) Use for the Proper Purpose

This Container is only for use in the disposal of medical waste; eg. cannulas, syringes, scalpels and broken glass. Using it in any other way is contrary to the proper purpose.

If used contrary to the proper purpose, IDC Medical is not liable. Always follow the guidelines prescribed by the Infection Control Association. Dispose of properly according to regional regulations & requirements.

(ii) General Description

The SANI-Safe is manufactured from environmentally friendly polypropylene. There are no harmful emissions if the container is incinerated.



Safety Guidelines

- Do not reach into the Container with your hand or in any other way (risk of injury)
- Do not push any objects forcefully into the Container
- Do not attempt to press the sides of a filled Container together from the outside in any way.
- Before disposing of the Container, make sure, that the Lid Cover (**4 'PUSH'**) is firmly pushed in.
- Scalpels (blades) have to be disposed of with extra care.
- If too much force is used while inserting objects or filling the Container, there is the danger of tilting and / or damaging the Container wall or the bottom of the Container.
- Do not pour fluids into the Container
- Follow the operating instructions and pay attention to the 'Biohazard Label' on the Container
- Do not shake the Container. Do not drop the Container
- Before closing the Container, make sure there are no objects protruding out. If that is the case, remove them.
- Always close the Container by hand, never use force
- Do not use the push button (**4**) to push in objects that are being disposed of.
- Do not put any complete syringes or scalpels into the SANI-Safe
- Never drop hazardous material transversely into the container. Always drop vertically.
- Should the operating instructions and safety guidelines not be followed, IDC Medical cannot be held liable.
- **Sharp and pointed objects do not belong in plastic bags or other unsuitable containers.**

Note:

The images and information in these Operating Instructions are subject to technical change if necessary